

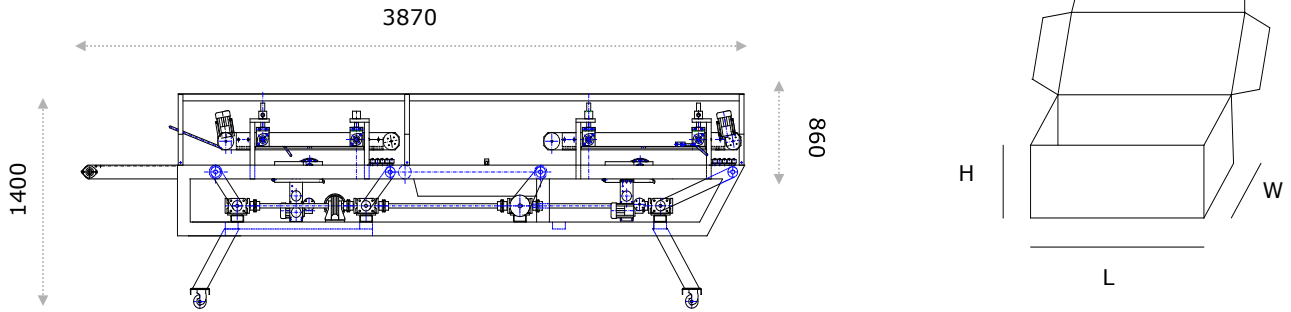
3-FLAP CLOSING MACHINE

Model L3 Straightline



3-FLAP CLOSING MACHINE

model L3 straight-line



Exit height 800-950 mm.

Carton size

L = 60-300 mm
W = 90-285 mm
H = 25- 75 mm
Other sizes on demand

Model L3 is a straight-line 3-flap closing machine which seals cartons with hot melt glue which is spot applied by wheel applicators.

All adjustment-units are fitted by spindles which have counters. In that way switchover time is reduced to a minimum.

Model L3 has a variable speed regulator and a capacity of up to 80 cartons per minute depending upon product and carton size. It is fitted with adjustable vibration absorbers and wheels for problem-free transport.

Model L3 straight-line

Constructed in stainless steel
Wheel applicators
Electricity supply: 3 x 400 VAC-N-PE, 3.5 kW
or as requested
Power consumption: 1.87 kWh at 60 cartons
per minute and a room temperature of 20° C.

Optional Extras

Embossing for date or codes
Spray glue system
Star wheel on exit

(We reserve the right to alter specifications without prior notice)

Aug. 2015