

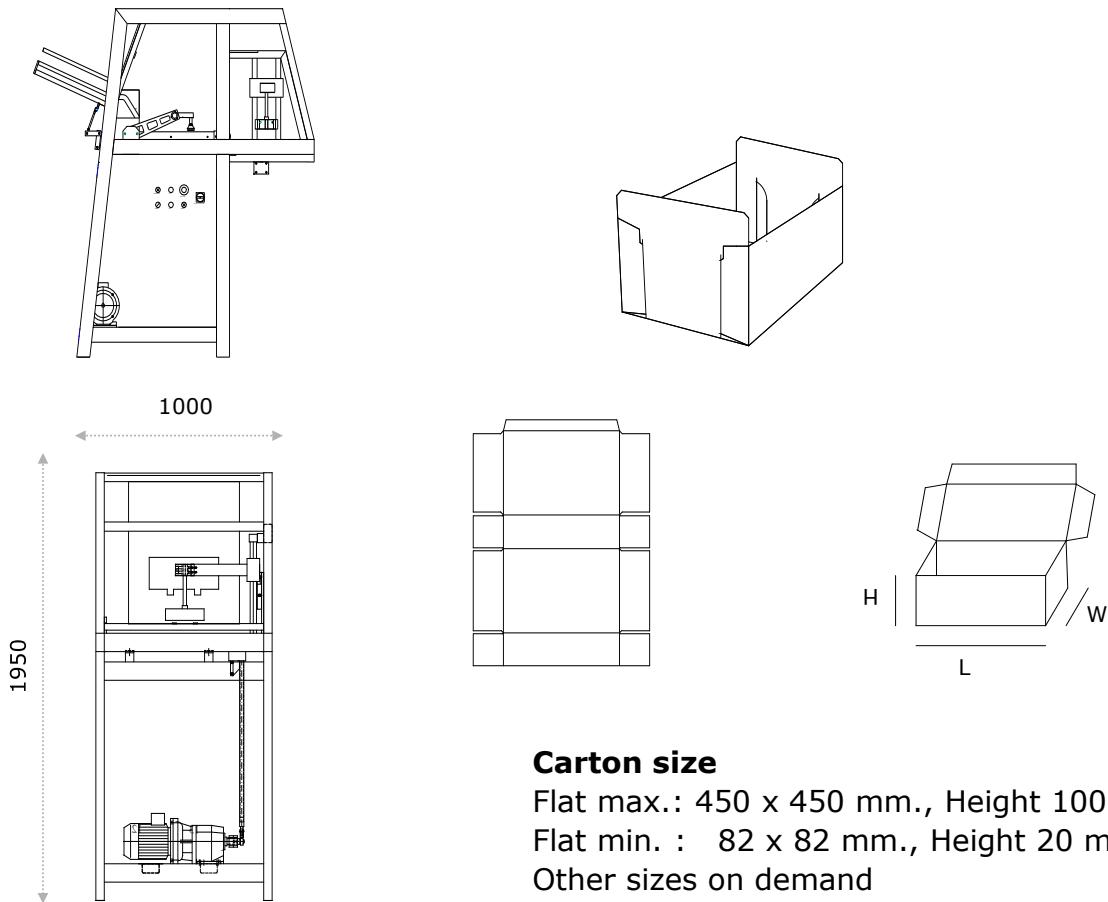
# ERECTING MACHINE

**Model R5**



# ERECTING MACHINE

## model R5 servo



### Carton size

Flat max.: 450 x 450 mm., Height 100 mm.

Flat min. : 82 x 82 mm., Height 20 mm.

Other sizes on demand

Model R5 servo is a single head, mechanic erecting machine with direct in feed of cartons. The machine is made of solid materials and can be used alone or integrated into an automatic packing line.

Model R5 servo closes cartons with hooks or hot melt glue.

Model R5 servo has a step less variable speed regulator and a capacity from 15-50 cartons per minute, depending on carton size and the number of tools.

### Model R5

Constructed in stainless steel

1 fixed magazine

Electricity supply: 3 x 400 VAC-N-PE, 3.5 kW

or as requested

Power consumption: 0.93 kWh at 60 cartons per minute and a room temperature of 20° C.

### Optional Extras

Embossing for date or codes

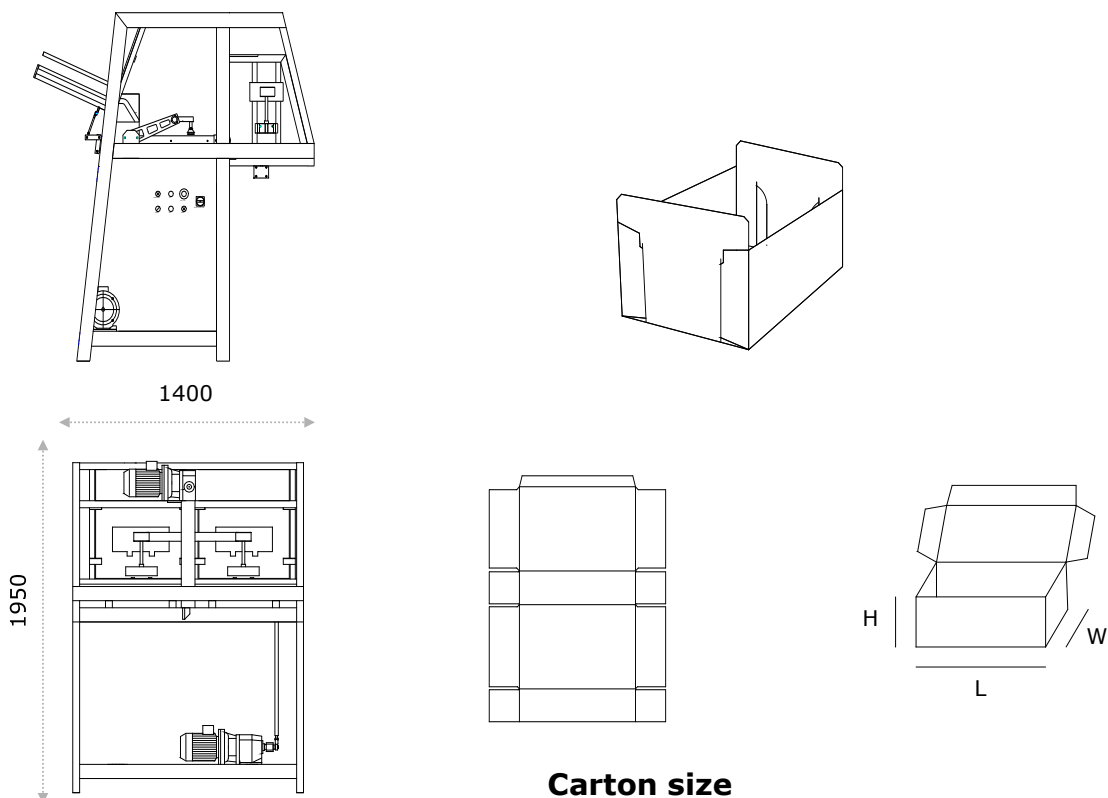
Spray glue system

(We reserve the right to alter specifications without prior notice)

Aug. 2015

# ERECTING MACHINE

## model R5 B servo



### Carton size

Flat max.: 450 x 450 mm., Height 100 mm.

Flat min. : 82 x 82 mm., Height 20 mm.

Other sizes on demand

Model R5 B servo is a double head, mechanic erecting machine with direct in feed of cartons. The machine is made of solid materials and can be used alone or integrated into an automatic packing line.

Model R5 B servo closes cartons with hooks or hot melt glue.

Model R5 servo has a step less variable speed regulator and a capacity from 15-100 cartons per minute, depending on carton size and the number of tools.

### Model R5 B Servo

Constructed in stainless steel

1 fixed magazine

Electricity supply: 3 x 400 VAC-N-PE, 3.5 kW  
or as requested

Power consumption: 0.93 kWh at 60 cartons  
per minute and a room temperature of 20° C.

### Optional Extras

Embossing for date or codes

Spray glue system

(We reserve the right to alter specifications without prior notice)  
Aug. 2015