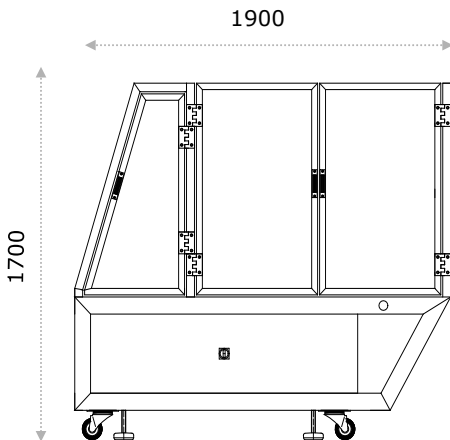


STACK-PACKER

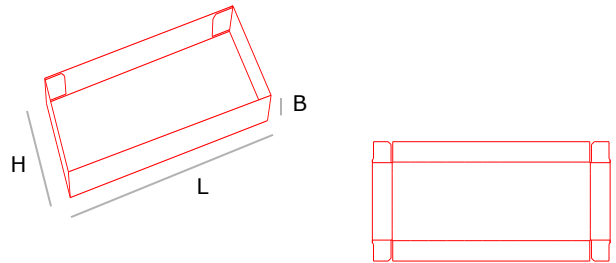
ADJUSTABLE



STACK PACKER



Width 1500 mm.
Height 1700 mm.
Length 1900 mm.



Carton size

L = 200 - 450 mm.
W = 35 - 80 mm.
H = 115 - 400 mm.
Other sizes on demand

Our Stack Packer places the products on a plano-tray, and then the plano-tray is erected around the products and sealed with hot melt glue.

The Stack Packer will be designed after the desired packing composition. The machine has a simple construction so it is very easy to maintain as we mainly use standard components. Carrying of products and taking down the plano-tray are made by means of el-motors to achieve an optimal adjustment and run of the machine.

Switchover times are reduced to a minimum when changing the packing composition, because all adjustments are made by means of counters and rulers.

The Stack Packer has a capacity of up to 15 outer cartons per minute depending upon product and carton size. It is fitted with adjustable vibration absorbers and wheels for problem-free transport.

Model SP

Constructed in stainless steel
Chain wheels are electro-plated
Pre-stretched black chains
1 fixed magazine
1 fixed tool for carrying of product
Spray glue system
Electricity supply: 3 x 400 VAC-N-PE, 3.5 kW
or as requested
Power consumption: 1.59 kWh at 15 cartons
per minute and a room temperature of 20° C.

Optional Extras

Embossing for date or codes
Chain and chain wheels in
stainless steel
Left-handed construction

(We reserve the right to alter specifications with out prior notice)
Aug. 2015